



AFRO

AFRO

○ **Pharmaceutical Production Lines.**

○ **Food and Beverage Production Lines.**

○ **Chemicals Production Lines.**

○ **Factory and Process design.**



About us

AFAQ is a leading company in Processing, Packaging and Engineering solutions since 1996.

AFAQ focusing on Pharmaceutical, Food&Beverage and Chemical sectors in the ME and North Africa markets.

Our continuous development and long term co king field in the targeted markets.

FACTS

2000

project and More

250

clients and More

5

branch all over the world

100

employees



Vision



AFAQ Vision is to be the leader company in designing, building and supplying the preparation and packaging lines for the pharmaceutical, food and beverage and chemical industries in the Middle East and North Africa areas.

Mission

AFAQ Mission is to expand our presence in the targeted markets through the continuous fulfillment of our customers enquires and expectations, and meet the technical and legal requirements governing sustainable development through the effective application of our operations and continuous improvement at reasonable prices.

AFAQ



Values

- Partnership.
- Commitment.
- Respect.
- Trust.
- Team Spirit.



Pharamaceutical production lines

Pharmaceutical Production Lines is one of the most demanding process industry sectors. Both Solid and Liquid dosage forms either generic or injectable need to be under strong roles.

cGMP regulations are the most important frame that all machine builders should follow precisely.

AFAQ with its continuous development of its production process and used "state-of-the-art" technologies from international leaders could provide the best fit of quality and price for the targeted markets. the quality assurance documentations package (DQ, IQ, OQ and even PQ) and the restricted acceptance tests (FAT and SAT) help AFAQ customers to have machines that help them for the international perspective markets development for their Pharmaceutical products.

AFAQ is the leader in Granulation, Powder and Liquid preparation and packaging for Generic and Injectable markets.



Granulation line

AFAQ is well known as a leader in production of granulation machines in the middle east. Our product portfolio is offering individual machines as well as complete lines. For maximum process flexibility, AFAQ can supply a closed Granulation system as an option.

This line is available with various sizes according to our customer requirement.



Key Features

- Designed and Built in Accordance to cGMP
- Dust Free Execution.
- Short Processing Time.
- SCADA in compliance with CFR21 part 11.
- Qualification Protocols (DQ,IQ,OQ,PQ) and Acceptance Tests (FAT, SAT) on demand

The line consists of

- Vibrating Sieve
- Hammer Miller
- Oscillating Sieve
- Rapid Milling Granulator
- Fluid Bed Dryer
- Double Cone Mixer



Dry powder packaging line

For more than 20 years of experience in the development of packaging machines for pharmaceutical industry. Depending on the application and individual customer needs, various powders are filled into a glass or plastic bottles, therefore, AFAQ Auger filling system provides high speed with high accuracy filling (up to $\pm 1\%$ @ 10g).

Capping heads are easily changeover depend on the used cap (Plastic or ROPP caps). AFAQ offers integrated solutions for powder packaging which mean that you and your products are in good hands.



Key Features

- High accuracy filling.
- Effective bottle Cleaning through microbial filtered air, and vacuum.
- High-quality capping heads.
- Advanced Control system HW and SW.

The line consists of

- Rotary entry table
- Cleaning machine
- Filling and closing machine
- labeling machine
- Rotary exit table

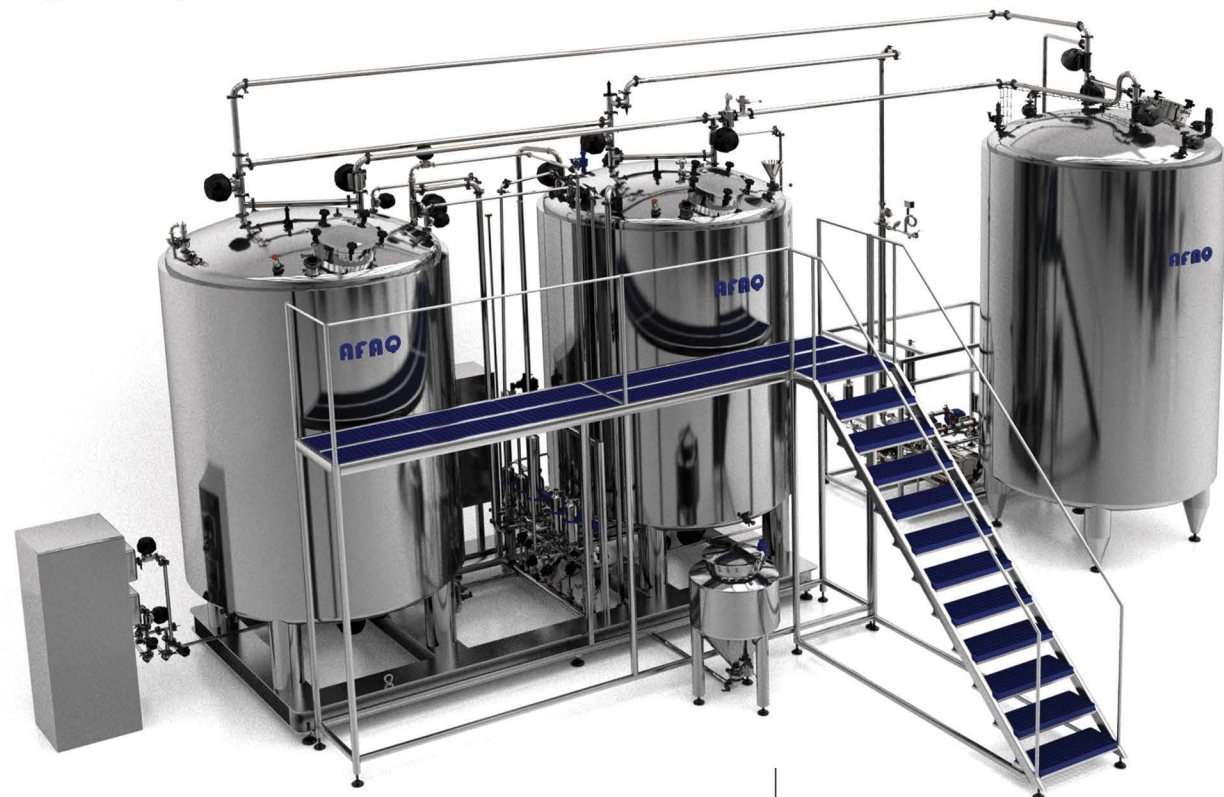


Injectable preparation line

Pharmaceutical sterile sector is one of the most demanding sectors in the industry. complete sterilization with strict segregation is the acceptance keys of the preparation line.

AFAQ supplies integrated preparation systems for the production of sterile liquid dosage, (such as Eyes Drops, Vials, Ampul, Serums, Pre-filled syringe...) which needs specific purity requirements that can only be achieved with great technical skills and experience.

All surfaces of our preparation vessels are grinded and polished professionally, furthermore, all welds are smoothed in accordance with cGMP rules and exclude even the smallest cleaning dead spaces.



Key Features

- Optimum segregation
- Very effective SIP System
- SCADA System with 12" resistive touch screen. in compliant with the FDA, CFR21 part11

The line consist of

- Preparation mixer
- Storage mixer
- Piping and instrumentations



Vial and Pre-filled Syringes production line

AFAQ solutions for packaging sterile Filling comply with all established guidelines and regulations for aseptic Filling. The systems are particularly suitable for medical and veterinary applications.

Various filling technologies can be used in the vial and Pre-filled Syringes packaging line according to the final sterile product whether it is a powder(lyophilized liquid) or liquid.



Key Features

- Very precise dosage filling volumes
- High effective sterilization tunnel to guarantee optimum sterilization and temperature distribution
- SCADA System with 12" resistive touch screen, in compliant with the FDA, CFR21 part11

The line consist of

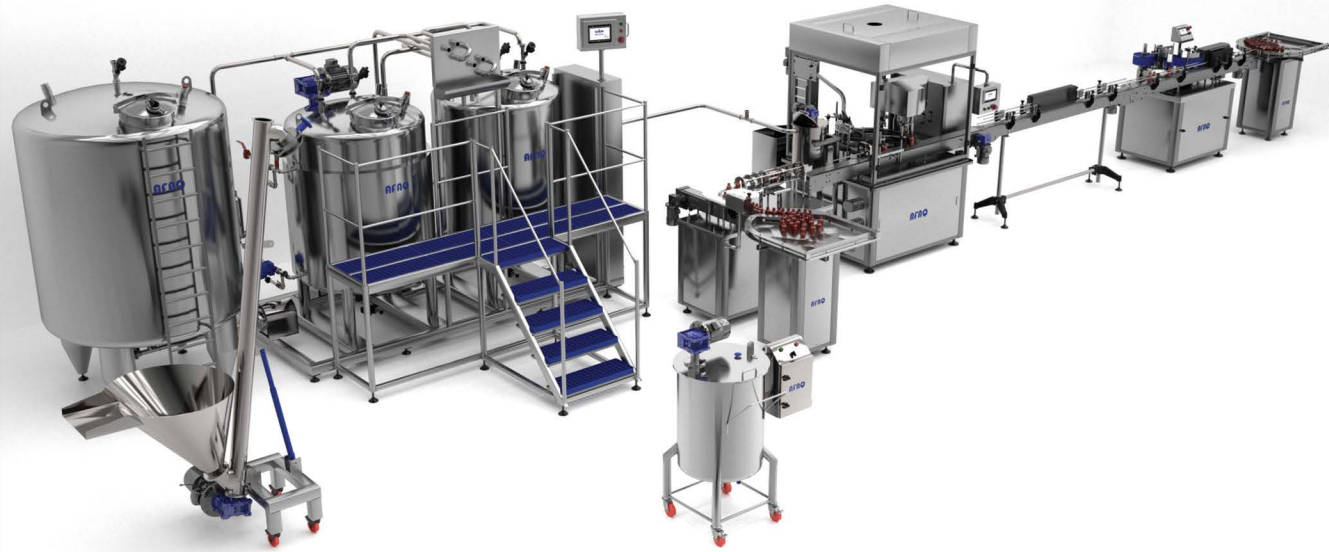
- Rotary entry table
- sterilization Tunnel
- Filling and Capping Machine
- labelling machine
- Rotary exit table



liquid production line

Pharmaceutical liquids need special handling in the preparation stage and packaging. AFAQ has a pioneer experience in preparation lines and packaging lines reaches advanced and reliable machines and equipment to be on the hand of their customers.

Preparation Lines for both simple and suspended syrups are provided with a high tech control system and reliable instrumentations from international leader suppliers, all guarantee stable repeatability and performance for the final product.



Liquid dosage in a variety of sizes is filled reliably and efficiently by using AFAQ peristaltic pump head "AccuFill" to ensure Accurate filling without cross-contamination and without the need for any CIP. Our lines are equipped with different capping systems according to the caps types.

Key Features

- Very precise dosage filling volumes with accuracy as fine as $\pm 0.5\%$.
- Effective Cleaning through microbial filtered air and vacuum.
- Filling of liquids of a broad viscosity range .
- High-quality capping head.



The line consist of

- Rotary entry table
- Cleaning machine
- Filling and closing machine
- Visual Inspection machine
- labelling machine
- Rotary exit table



Ophthalmic packaging line

The filling machine is equipped with AFAQ peristaltic pump head "AccuFill" or the stand-alone pump filling machine "A²F11" which ensure Accurate filling (Up to $\pm 0.5\%$) without dropping and without the need of CIP or SIP.

The segregation concept is guaranteed by using LAF or RAB systems.



Key Features

- High accurate filling volume (up to $\pm 0.5\%$)
- Adjust and control of capping tighten torque
- Isolated Filling area by LAF or RAB.
- No SIP/CIP is needed
- faulty bottles rejection
- Extra-compact "DropFill-SC" machine which reducing footprint.
- Easy and Flexible HMI with 7" touch screen

The machine consist of

- Stoppers and caps feeder
- Drop filling Machine
- Labeling Machine



Food and Beverage production lines

Food and Beverage industry, always focusing on two main targets: the taste harmony repeatability and food texture sustainability.

These two targets are not easily on-hand unless if you choose AFAQ to provide its touch and experience with its machines and production lines.

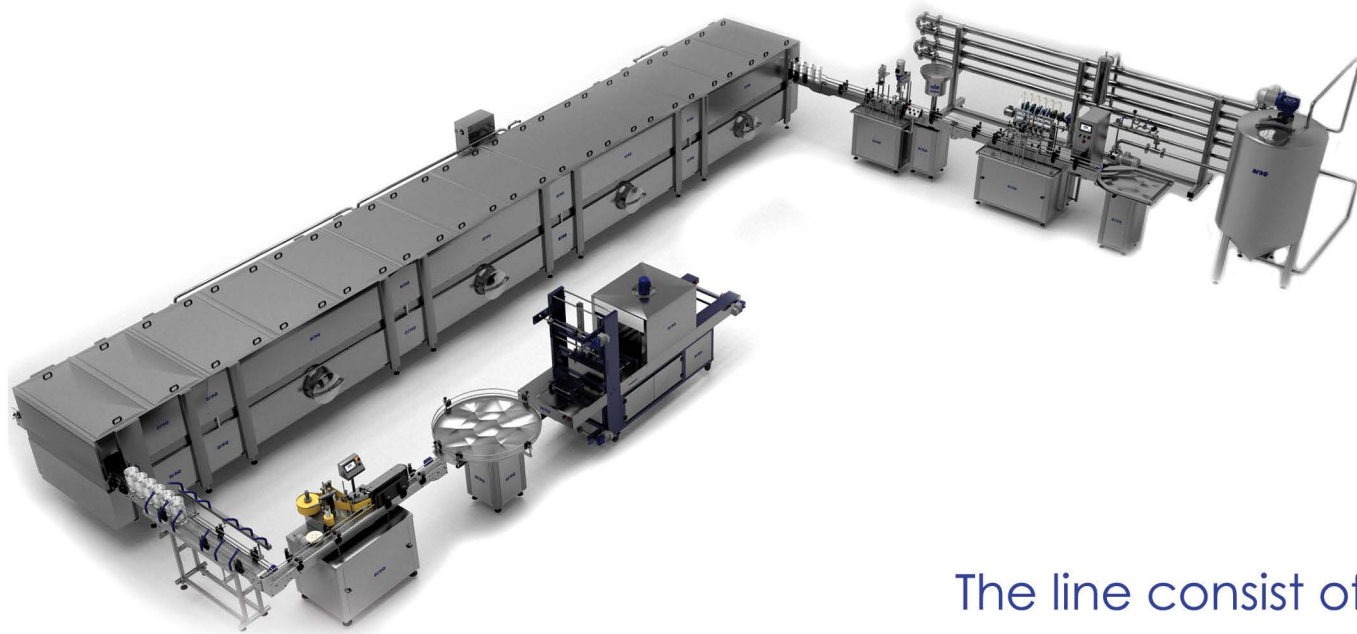
Starting from Soft drinks and not ending of dairy products, this wide portfolio of production lines is under your service to open many opportunities to your investments .



ketchup&chilli production line

AFAQ supplies reliable systems for ketchup and tomato sauces production line according to the most advanced technologies and designed to meet our customers needs.

Our Line is available as standalone units, such as mixers and pasteurization units ,or as entire line. With different filling ranges.



The line consist of

Key Features

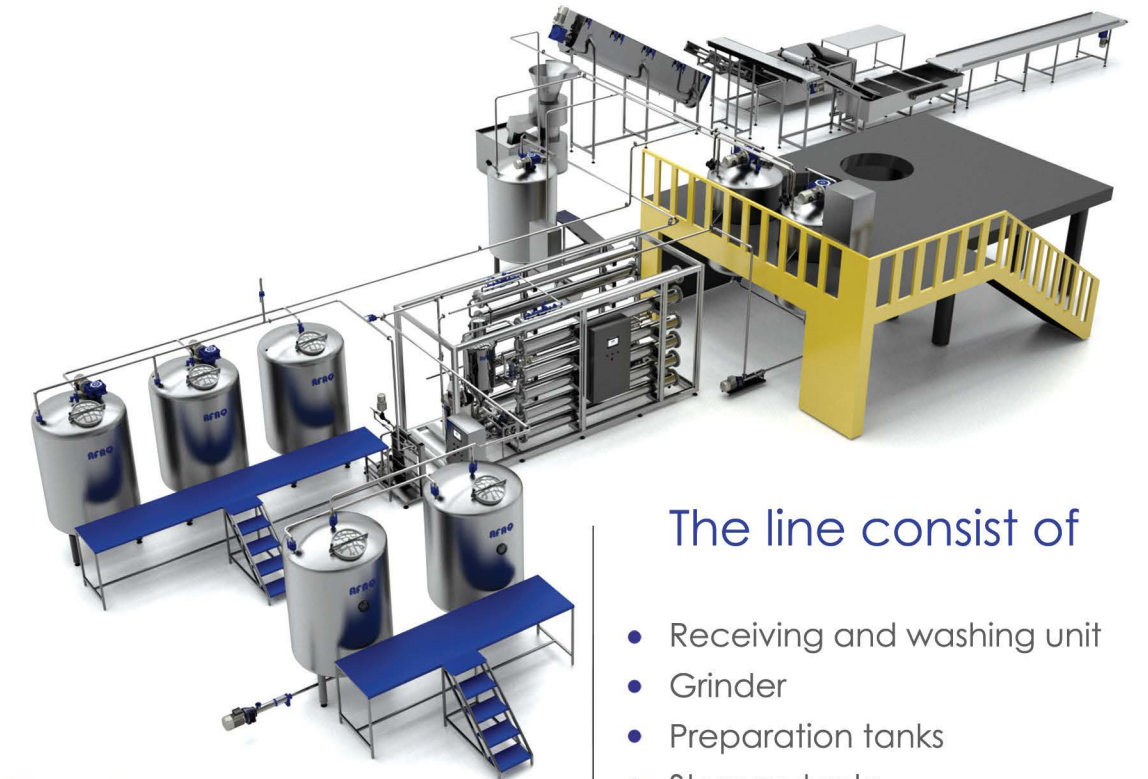
- Advanced Mechanical Design.
- Easy and Flexible HMI.
- Efficiency Pasteurization process for smooth ketchups & chilli and products that contain pieces of vegetable or herbshigh.
- Different capacity to meet customers different demand.

- Storage tank
- Tubular pasteurizer
- Rotary entry table
- Filling machine
- Capping machine
- Tunnel drying and sterilization
- labling machine
- Rotary exit table



chilli preraration Line

This line is designed for preparation of chilli starting from frech chilli and ending with chilli sauce



The line consist of

- Receiving and washing unit
- Grinder
- Preparation tanks
- Storage tanks

Key Features

- Designed and Built in accordance to cGMP.
- Advanced Mechanical Design.
- Easy and Flexible HMI.

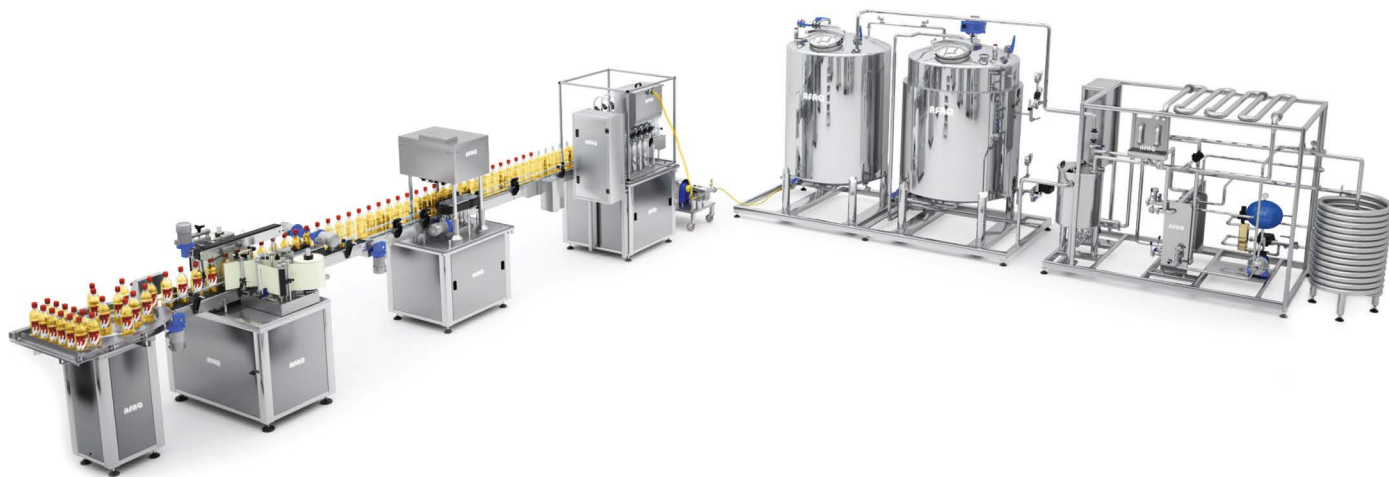


Juice & Milk Production Line

AFAQ's experience in this market means that we have a key understanding of the entire production process, and we will recognize your needs

We supply equipments and technologies for the preparation and packaging for Juice & Milk industry.

AFAQ's comprehensive portfolio of technologies ensures that you will get the best solution for your application



Key Features

- Advanced Mechanical Design.
- Easy and Flexible interface Platform.
- Effective Pasteurization process for products with or without pieces.

The line consist of

- Preparation tank
- Storage tank
- Pasteurized(plate, tubular)
- Filling machine
- Caping machine
- labling machine
- Rotary exit table



Ghee & oil production line

Since its founding in 1996, AFAQ has designed and built machines for food production processes and supplying many food brands with customised machinery that supports their production processes and enhances efficiency.

In our production line for ghee and oil the mixing process can be done smoothly and effectively in preparation mixe, which ensures high effective mixing.

Various filling technology can be used in this line according to customers requirements: Volumetric dosing systems, Weight dosing systems, and Flowmeters dosing system



With this linear packaging line, you will be able to fill ghee and oil in glass bottles and jars, cylindrical and flat plastic bottles, as well as buckets..

Key Features

- Very high accuracy (less than 0.5%).
- Filling machine with tank and pipe heating.
- Optimum heat distribution in the preparation line.
- Easy and Flexible Text HMI.

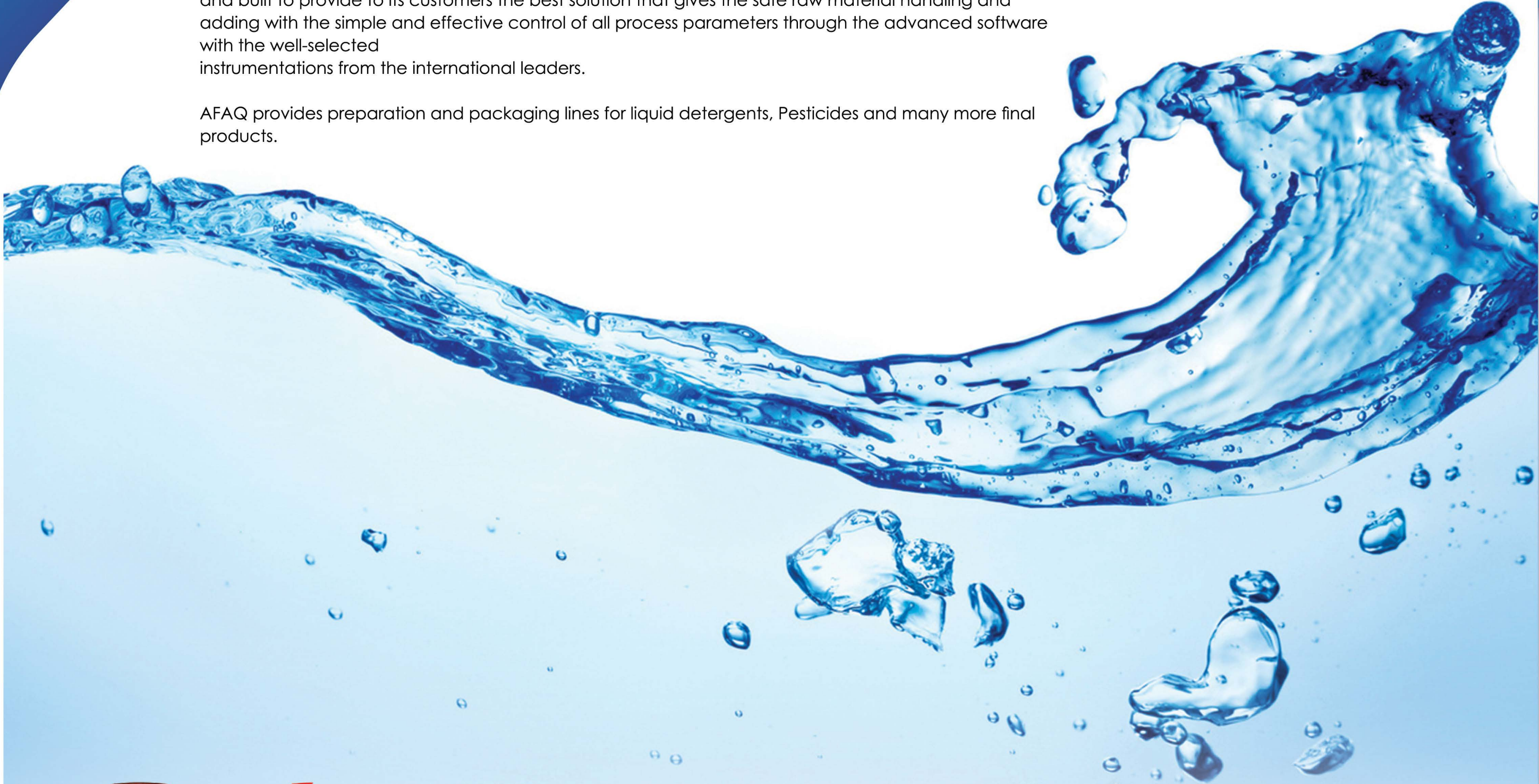
The line consist of

- Preparation tank
- Storage tank
- Rotary entry table
- Filling machine
- Sealing machine
- Rotary exit table



Chemical Production Lines are very complicated, the care in handling of raw materials with the accessibility of the operator to all production parameters is a dilemma. AFAQ production line is well designed and built to provide to its customers the best solution that gives the safe raw material handling and adding with the simple and effective control of all process parameters through the advanced software with the well-selected instrumentations from the international leaders.

AFAQ provides preparation and packaging lines for liquid detergents, Pesticides and many more final products.



Detergent production line

Based on a deep and fundamental understanding of the mixing process, AFAQ provides a comprehensive preparation system developed and designed for the detergent preparation industry. Choosing the right mixing technology is crucial; it's a significant processing criterion ensuring the production of a homogenous final product that's free from lumps in the shortest possible time, and that is possible in our mixer because it is equipped with: Turbine Disperser, scraper agitator, homogenizer.



Moreover, AFAQ has a unique understanding of the entire process including packaging machines, based on many years of experience and hundreds of successful installations.

Key Features

- Advanced Mechanical Design.
- Easy and Flexible HMI with 7" touch screen.
- Effective CIP system.
- Homogenizer with loop.
- Diving nozzles for foamy liquids driven by servo system.
- High accuracy instruments to adjust filling volume.

The line consist of

- Preparation tank
- Storage tank
- Rotary entry table
- Filling machine
- Closing machine
- Labeling machine
- Rotary exit table



Ointments preparation line

For many years AFAQ has been a world leader in providing technically advanced preparation systems for the personal care, and ointment sector.

The manufacturing of gels, creams, ointments and other products of complex synthesis requiring a high mixing technology, and that is possible with our ointment preparation system, which has three independent mixing movement:

- One slow peripheral agitation for wall and tank bottom
- One main axial agitator
- Homogenizer with many executions.



Key Features

- Multiple and varied designs according to customer's requirement.
- Advanced vacuum system.
- Perfect heat distribution on the Entire mixer with effective insulation.
- Easy and flexible interface with touch screen.

The machine consist of

- Preparitipn tank
- Vacuum unit
- Homogeniser
- Oily phase tank (optional)
- Aqueous phase tanke (optional)



Factory and Process Design

AFAQ has a strong engineering background and experience in designing of pharmaceutical factories with accordance of cGMP/FDA rules and standards.

Starting from the conceptual design passing through mechanical and electrical engineering design, as well as, BMS/Access control system, and ending to the feasibility study.

All this well done tasks, are provided to be between our customers' hands, to be the king player of AFAQ customer's business success.



References





UAE, Dubai

+971 4 3449204
+971 55 1086179
+971 56 7919877
uae@afaq01.com

Turkey, Istanbul

+90 507 0044522
turkey@afaq01.com

Jordan, Amman

+962 64 160141
+962 7 99490612
Jordan@afaq01.com

-  @afaq01
-  @afaq01
-  /afaq01
-  /afaq-industries
-  /afaq01
-  /+afaqindustries